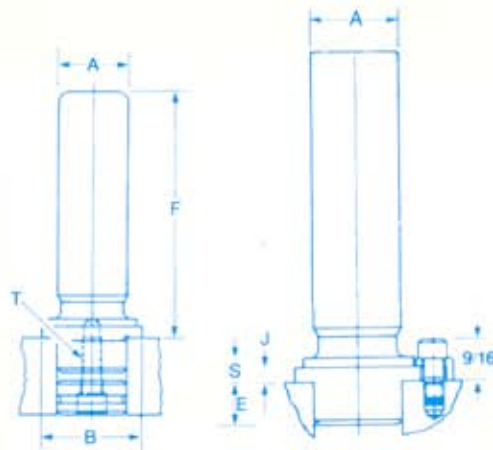


Hardened, ground and mirror finished to 5-8 microinches for maximum life and reduced friction.

To order, specify:

1. Catalog number by combining system code – LS (type P or C) w/ diameter/length number.
2. Quantity
3. How to ship
4. Contact nearest Product Service Center on back cover



Style LS  
Type C



# Guide Pins

Steel, removable  
Master tolerances

Style LS  
Type P

Pin dia.	A	Style	Catalog Length F																						
			2.50	2.75	3.00	3.25	3.50	3.75	4.00	4.25	4.50	4.75	5.00	5.25	5.50	5.75	6.00	6.50	7.00	7.50	8.00	8.50	9.00	12.00	13.00
0.75	.7500	LS—	65	66A	66	67A	67						610												
	.7502																								
1.00	1.0002	LS—	85	86A	86	87A	87		88		89	810A	810	811A	811	812A	812	813	814	815					
	1.0000																								
1.25	1.2502	LS—				107A	107	108A	108	109A	109	1010A	1010	1011A	1011	1012A	1012	1013	1014	1015	1016	1017			
	1.2500																								
1.50	1.5002	LS—			126		127			129A	129	1210A	1210	1211A	1211	1212A	1212	1213	1214	1215	1216	1217	1218		
	1.5000																								
1.75	1.7502	LS—*													1411		1412			1415	1416				
	1.7500																								
2.00	2.0003	LS—*															1612		1614		1616		1618	1624	1626
	2.0000																								

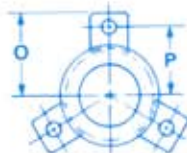
\* Available in Type C style only

Also available

LS1420 (1-3/4 x 10)

LS1632 (2 x 16)

## Typical Clamp Arrangement



Nominal pin dia.	Clamp type	Cap screw	B	E	S	J	T	P	O
0.75	D	1/4-20	1.25	0.50	0.25	0.19	1/4-20	0.84	1.15
1.00	D	5/16-18	1.50	0.56	0.31	0.19	5/16-18	0.97	1.28
1.25	D	5/16-18	1.75	0.69	0.31	0.19	5/16-18	1.09	1.40
1.50	D	5/16-18	2.00	0.81	0.37	0.19	3/8-16	1.22	1.53
1.75	LLD	5/16-18	2.25	1.06	0.44	0.25		1.38	1.76
2.00	LLD	5/18-18	2.50	1.25	0.44	0.25		1.50	1.88